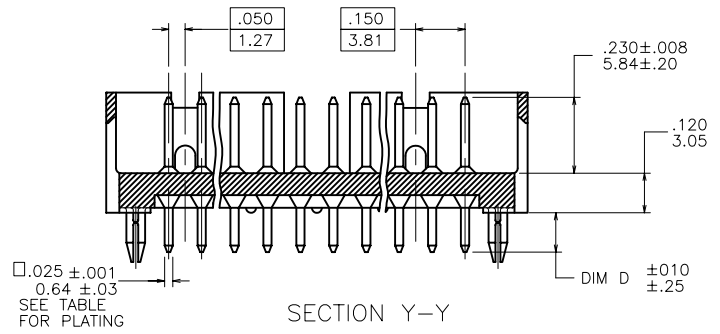
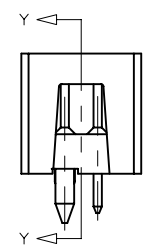
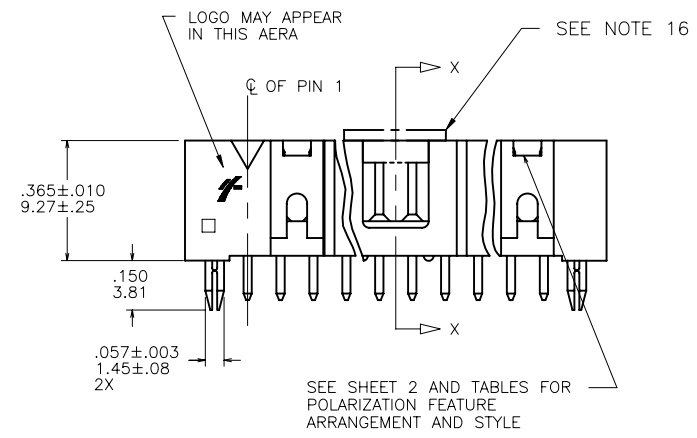
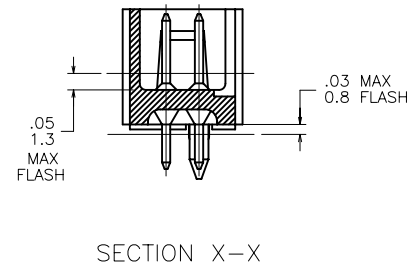
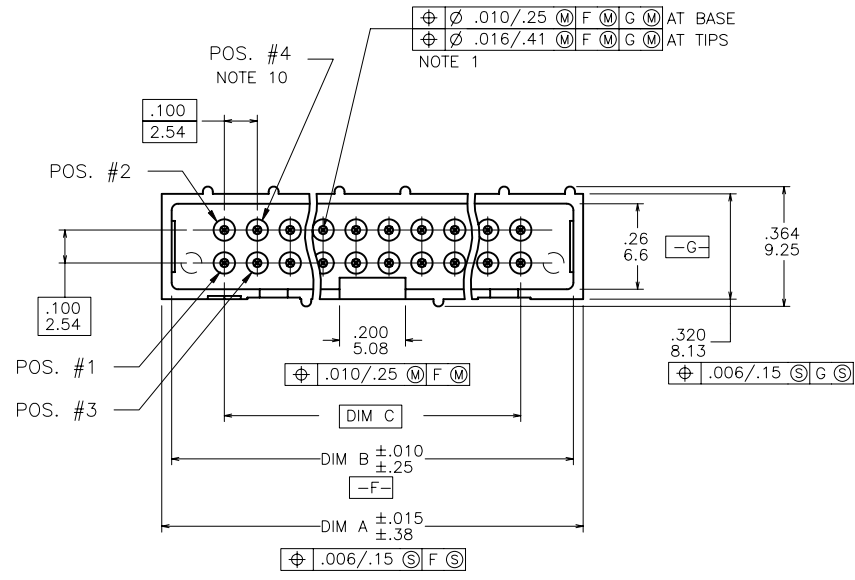


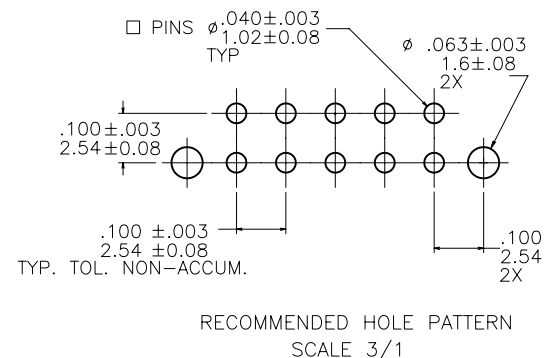
Tous droits strictement reserves. Reproduction ou communication a des tiers interdite sous quelque forme que ce soit sans autorisation écrite du propriétaire. Propriete de c FCI. Droits de reproduction FCI.

All rights strictly reserved. Reproduction or issue to third parties in any form whatever is not permitted without written authority from the proprietor. Property of FCI. Copyright FCI.



mat'l. code NOTE 2 & 5				tolerances unless otherwise specified		CUSTOMER COPY	FCI Electronics www.fciconnect.com	
ltr	ecn no	dr	date	linear	.XX ±.01/.X±.3		projection FIRST ANGLE	title HEADER, QUICKIE SLIMLINE, VERTICAL, 4 WALL HTP
R	V61660	EPK	11/4/96		.XXX ±.005/.XX±.13	INCH/MM		product family HEADER
S	V90594	EPK	3/1/99		XXXX ±.0020/.XXX±.051		scale 1:1	size dwg no
T	V91334	LSS	6/3/99	angles	0° ±2°	A		88873
U	V00284	DAI	1/25/00	dr	M.CLOUSER 1/10/90		code	
V	V00526	DAI	2/10/00	enr	M.SMYK 7/10/90	-		
W	V00723	DAI	3/1/00	chr	M.SMYK 10/10/90	sheet		
Z	N05-0151	ZC	6/10/05	appd	M.SMYK 10/10/90	1 of 4		
sheet	revision	Z	Z	Z	Z	cage code		
index	sheet	1	2	3	4	26		

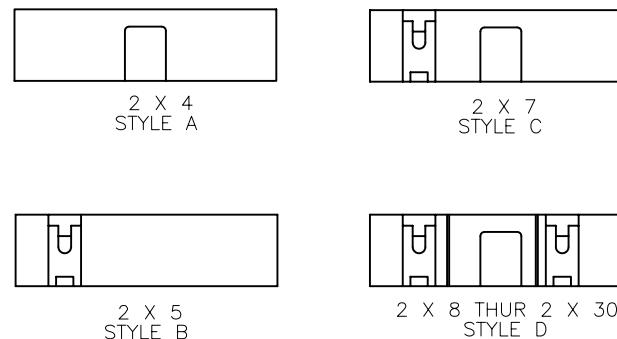
KEY FOR PLATING AND OPTIONS				TAIL LENGTH
X	TERMINAL PLATING	RETENTION NOTE 6	ORIENTATION POST NOTE 7	DIM D
-0XX(LF)	15u" / .38u GXT	NO	YES	.120/3.05
-1XX(LF)	15u" / .38u GXT	NO	NO	.120/3.05
-2XX(LF)	30u" / .76u GXT	NO	NO	.445/11.30
-3XX(LF)	15u" / .38u GXT	YES	NO	.120/3.05
-4XX(LF)	30u" / .76u GXT	NO	YES	.120/3.05
-5XX(LF)	30u" / .76u GXT	YES	NO	.120/3.05
-6XX(LF)	30u" / .76u GXT	NO	NO	.120/3.05
-7XX(LF)	30u" / .76u GXT	NO	NO	.105/2.67
-8XX(LF)	30u" / .76u GXT	NO	NO	.085/2.16
-9XX(LF)	15u" / .38u GXT DUPLEX	NO	YES	.105/2.67



\* NOTE 15

NOTES:

- ① SAME PIN POSITION TOLERANCE APPLIES TO BOTH ENDS OF EACH TERMINAL.
- ② MOLDING MAT'L: GLASS-FILLED POLYESTER PCT, FLAME RETARDANT PER UL-94V-0, COLOR: BEIGE
3. 1° MAX DRAFT PERMISSIBLE ON ALL SURFACES.
4. 4 POUNDS/1.8 KILOGRAMS MIN TERMINAL PULL-OUT FORCE.
- ⑤ TERMINAL MAT'L: PHOSPHOR BRONZE.
- ⑥ 15 POUNDS / 6.8 KILOGRAMS MAX INSERTION FORCE AND .5 POUNDS/ 2.26 KILOGRAMS MIN RETENTION FORCE USING .062/1.57 THICK CIRCUIT BOARDS AND RECOMMENDED HOLE PATTERN.
- ⑦ ORIENTATION POSTS ARE UNAVAILABLE WITH RETENTION PINS. RETENTION PINS ARE UNAVAILABLE WITH ORIENTATION POSTS.
8. P/N'S WITH "T" BEHIND THEM REQUIRE TUBE PACKAGING PER BUS-14-112.
- ⑨ MAY BE ORDERED WITH G-PAX PACKAGING BY ADDING "G" TO THE DASH NUMBER PER GES-14-314.
- ⑩ POSITION #4 POLARIZED ON -206.
- ⑪ POSITION #20 POLARIZED ON -061.
- ⑫ POSITION #5 POLARIZED ON -062.
- ⑬ POSITION #25 POLARIZED ON -363.
- ⑭ POSITION #3 POLARIZED ON -366
- ⑮ SOLDER DIP PROCESS ACCEPTABLE (TIN-LEAD TAILS)
- ⑯ P/N'S WITH "V" BEHIND THEM REQUIRE PICK-UP CAPS.
- ⑰ "D" DENOTES CUSTOMER SPECIAL.
18. THE HOUSING OF XXXX-XYLF WILL WITHSTAND EXPOSURE TO 260°C PEAK TEMPERATURE FOR 10 SECONDS IN A WAVE SOLDER PROCESS.
19. 88873-\*\*\*LF IS JUST A LEAD FREE PRODUCT.



mat'l. code		tolerances unless otherwise specified		CUSTOMER COPY		 FCI	
ltr	ecn no	dr	date	linear	.XX ±.01/.X±.3	projection	
Z					.XXX ±.005/.XX±.13		
				angles	XXXX ±.0020/.XXX±.051		HEADER, QUICKIE SLIMLINE, VERTICAL, 4 WALL HTP
				dr	M.CLOUSER 1/4/93	INCH/MM	product family
				enr	M.SMYK 1/4/93	scale	HEADER
				chr	M.SMYK 1/4/93	1:1	code
				appd	M.SMYK 1/4/93	A	size
sheet index	revision sheet						88873 sheet 2 of

Tous droits strictement reserves. Reproduction ou communication a des tiers interdite sous quelque forme que ce soit sans autorisation écrite du propriétaire. Propriete de c FCI. Droits de reproduction FCI.

All rights strictly reserved. Reproduction or issue to third parties in any form whatever is not permitted without written authority from the proprietor. Property of FCI. Copyright FCI.

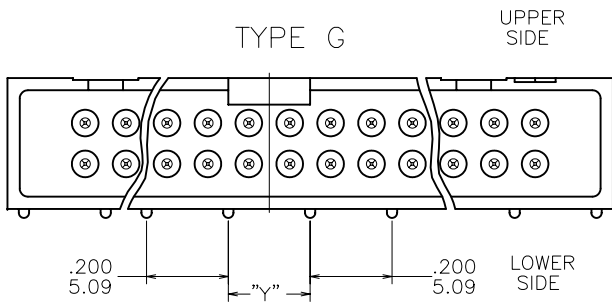
Tous droits strictement réservés. Reproduction ou communication à des tiers interdite sous quelque forme que ce soit sans autorisation écrite du propriétaire. Propriété de c FCI. Droits de reproduction FCI.

All rights strictly reserved. Reproduction or issue to third parties in any form whatever is not permitted without written authority from the proprietor. Property of FCI. Copyright FCI.

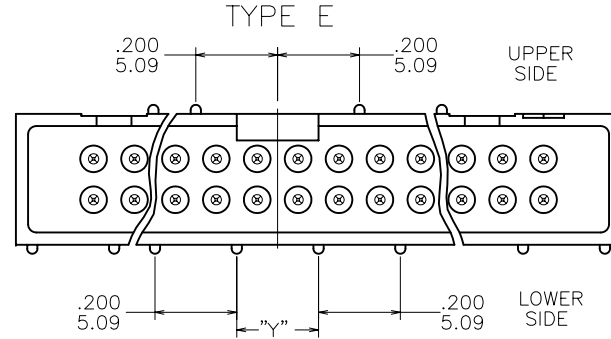


SIZE	TYPE	DIM "Y" REF	NO. OF POS. AT UPPER SIDE	NO. OF POS. AT LOWER SIDE
2 X 2	G	.300/7.64	0	2
2 X 3	G	.100/2.54	0	4
2 X 4	G	.200/5.09	0	4
2 X 5	G	.300/7.64	0	4
2 X 6	G	.200/5.09	0	4
2 X 7	G	.100/2.54	0	6
2 X 8	G	.200/5.09	0	6
2 X 10	F	-	2	7
2 X 12	E	.200/5.09	2	8
2 X 13	E	.300/7.64	3	8
2 X 15	E	.100/2.54	4	10
2 X 17	E	.300/7.64	5	10
2 X 18	F	-	6	11
2 X 20	E	.200/5.09	7	12
2 X 22	F	-	8	13
2 X 25	E	.300/7.64	9	14
2 X 30	F	-	12	17

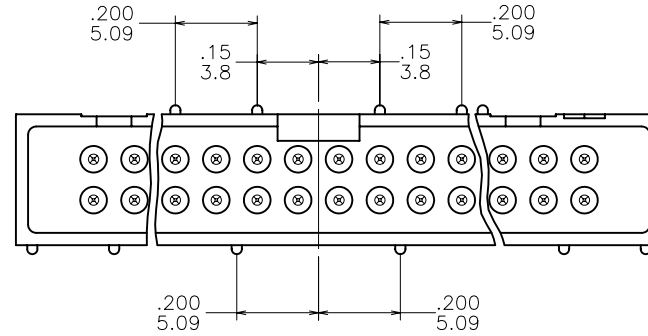
2X2 THROUGH 2X8



2X10 THROUGH 2X30



TYPE F



mat'l. code		tolerances unless otherwise specified		CUSTOMER COPY		Electronics www.fciconnect.com	
ltr	ecn no	dr	date	linear	.XX ±.01/.XX±.13	projection	
Z					.XXX ±.005/.XX±.13		
				angles	XXXX ±.0020/.XXX±.051	product family size	code - sheet 3 of
				dr	0° ±2°		
				enr	M.CLOUSER 1/4/93	A 88873	
				chr	M.SMYK 1/4/93		
				appd	M.SMYK 1/4/93		
sheet index	revision sheet						

Tous droits strictement reserves. Reproduction ou communication a des tiers interdite sous quelque forme que ce soit sans autorisation ecrite du propriétaire. Propriete de c FCI. Droits de reproduction FCI.

All rights strictly reserved. Reproduction or issue to third parties in any form whatever is not permitted without written authority from the proprietor. Property of FCI. Copyright FCI.

PRODUCT NUMBER	DIM A	DIM B	DIM C	STYLE	SIZE
88873-X04 (LF)	.480/12.19	.420/10.67	.100/2.54	A	2 X 2
-X06 (LF)	.580/14.73	.520/13.21	.200/5.08	A	2 X 3
-X06D (LF)	.580/14.73	.520/13.21	.200/5.08	A	2 X 3
-X08 (LF)	.680/17.27	.620/15.75	.300/7.62	A	2 X 4
-X08D (LF)	.680/17.27	.620/15.75	.300/7.62	A	2 X 4
-X09 (LF)	.780/19.81	.720/18.29	.400/10.16	A	2 X 5
-X10 (LF)	.780/19.81	.720/18.29	.400/10.16	B	2 X 5
-X12 (LF)	.880/22.35	.820/20.83	.500/12.70	A	2 X 6
-X14 (LF)	.980/24.90	.920/23.37	.600/15.24	C	2 X 7
-X16 (LF)	1.080/27.90	1.020/25.91	.700/17.78	D	2 X 8
-X20 (LF)	1.280/32.51	1.220/30.99	.900/22.86		2 X 10
-X24 (LF)	1.480/37.59	1.420/36.07	1.100/27.94		2 X 12
-X26 (LF)	1.580/40.13	1.520/38.61	1.200/30.48		2 X 13
-X30 (LF)	1.780/45.21	1.720/43.69	1.400/35.56		2 X 15
-X34 (LF)	1.980/50.29	1.920/48.77	1.600/40.64		2 X 17
-X36 (LF)	2.080/52.83	2.020/51.31	1.700/43.18		2 X 18
-X40 (LF)	2.280/57.91	2.220/56.39	1.900/48.26		2 X 20
-X44 (LF)	2.480/62.99	2.420/61.47	2.100/53.34		2 X 22
-X50 (LF)	2.780/70.61	2.720/69.09	2.400/60.96		2 X 25
-X60 (LF)	3.280/83.31	3.220/81.79	2.900/73.66		2 X 30
-061 (LF)	2.280/57.91	2.220/56.39	1.900/48.26		2 X 20
-062 (LF)	1.980/50.29	1.920/48.77	1.600/40.64	D	2 X 17
-206 (LF)	.580/14.73	.520/13.21	.200/5.08	A	2 X 3
-207 (LF)	.580/14.73	.520/13.21	.200/5.08	A	2 X 3
-363 (LF)	2.780/70.61	2.720/69.09	2.400/60.96	D	2 X 25
-366 (LF)	1.980/50.29	1.920/48.77	1.600/40.64	D	2 X 17
-934 (LF)	1.980/50.29	1.920/48.77	1.600/40.64		2 X 17
88873-950 (LF)	2.780/70.61	2.720/69.09	2.400/60.96	D	2 X 25


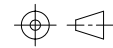
NOTE 17  
NOTE 9  
NOTE 17  
NOTE 9  
NOTE 9  
NOTE 9  
NOTE 9  
NOTE 11  
NOTE 12  
NOTE 10  
NOTE 13  
NOTE 14

A

A

B

B

mat'l. code				tolerances unless otherwise specified		CUSTOMER COPY		 <b>Electronics</b> www.fciconnect.com	
ltr	ecn no	dr	date	linear	.XX ±.01/.X±.3	projection		title	
Z					.XXX ±.005/.XX±.13			HEADER, QUICKIE SLIMLINE, VERTICAL, 4 WALL HTP	
					XXXX ±.0020/.XXX±.051				
				angles	0° ±2°	INCH/MM scale 1:1	product family		code
				dr	M.CLOUSER 1/4/93		HEADER		-
				enr	M.SMYK 1/4/93		size		dwg no
				chr	M.SMYK 1/4/93		A		88873
				appd	M.SMYK 1/4/93			sheet	4 of
sheet index	revision sheet								

cage code